

Katalog náhradních dílů pro
průmyslový šicí stroj

GARUDAN®

FT-7060 serie



ANITA B s.r.o.

Hliníky 2068

680 01 Boskovice

Czech Republic

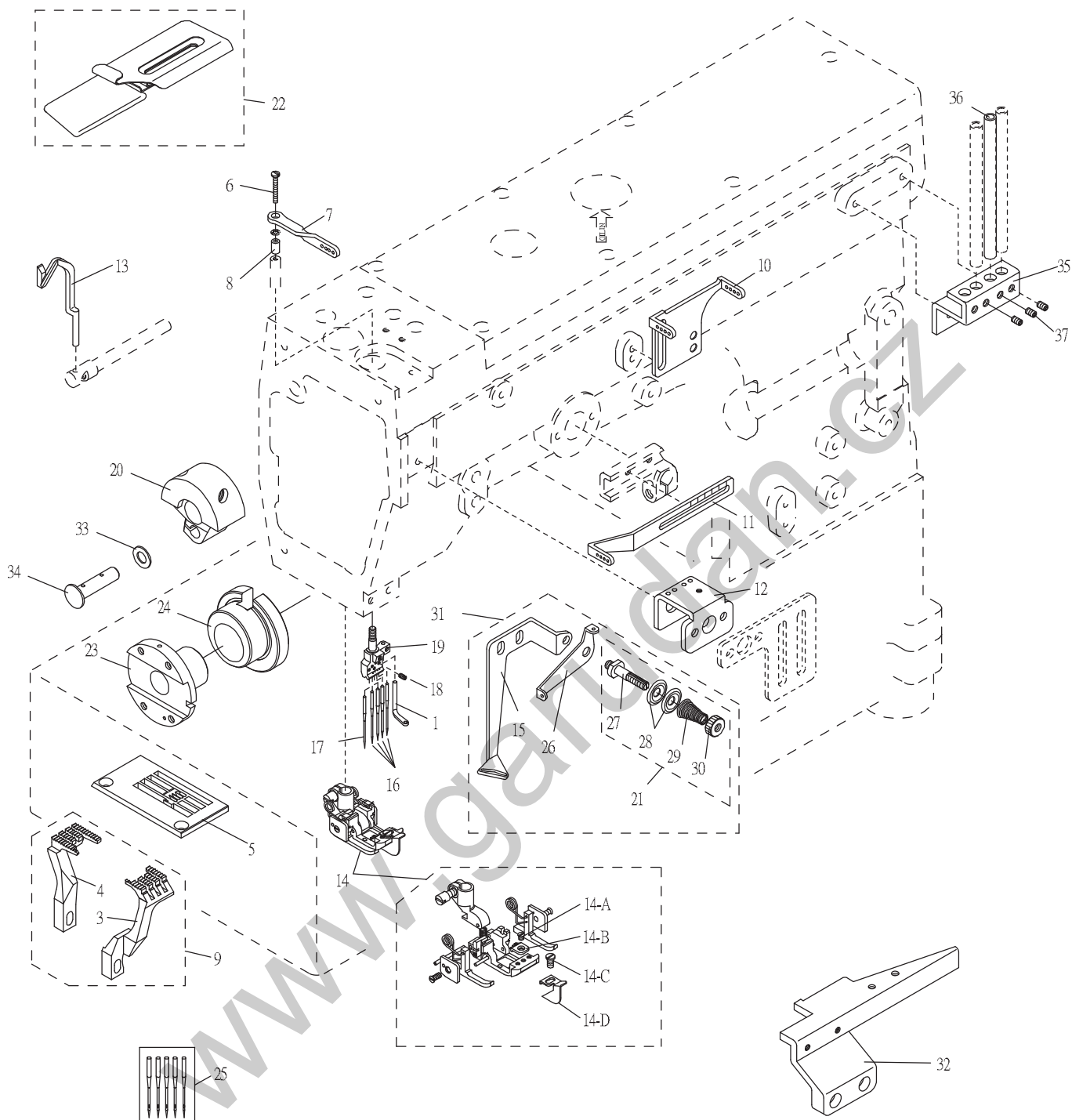
fax: +420 516 452 751

tel: +420 516 454 774,

+420 516 453 496

e-mail: info@anita.cz

1. Ft7060 平型四針用零件列表 Parts List For Ft7060 Flatseaming



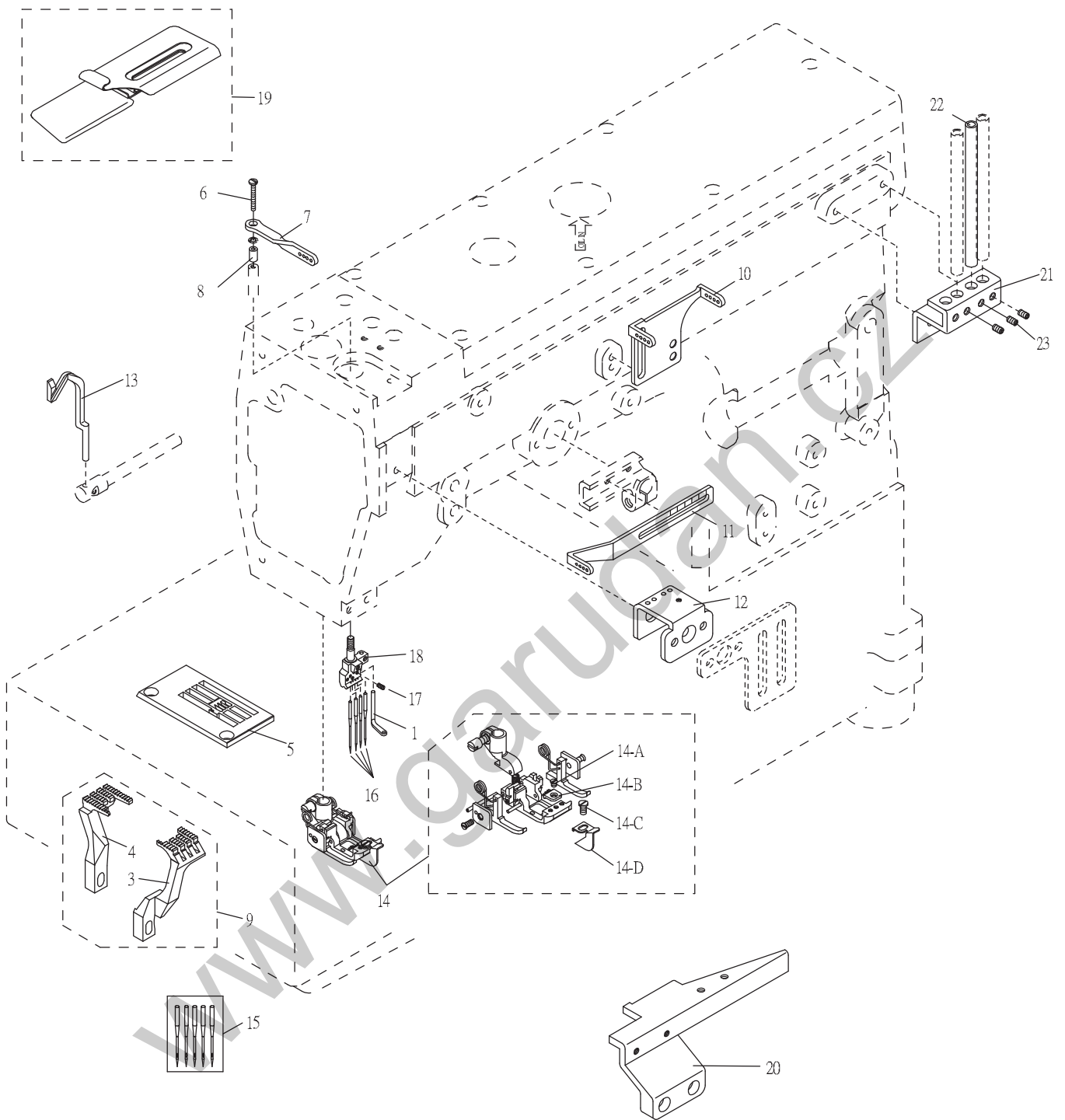
序號 Ref.No.	名稱 Description	針距 Distance Of Needles			
		5.2	5.6	6.0	6.4
5	針板 Needle Plate	5221TP60520	5221TP60560	5221TP60600	5221TP60640
14	壓腳 PresserFoot	5221PF60520	5221PF60560	5221PF60600	5221PF60640
14-B	壓腳舌 Presser Foot Tongue	5221PF6052A	5221PF6056A	5221PF6060A	5221PF6064A
19	針留 Needle Clamp	5221NC60520	5221NC60560	5221NC60600	5221NC60640

1. Ft7060 平型四針用零件列表 Parts List For Ft7060 Flatseaming

序號	物料編號	名稱	單位用量
Ref. No.	Parts Number	Description	Amt. Req.
1	2200000710	導線 Thread Guide -----	1
2	-----	-----	-
3	5221DF60560	副送布齒 Diff Feed Dog(See Left Page) -----	1
4	5221FD60560	主送布齒 Main Feed Dog(See Left Page) -----	1
5	-----	針板 Needle Plate(See Left Page) -----	1
6	8MB85241306K	螺絲 Screw (FT0519 M3.5-0.6-*13)-----	1
7	2210600118	導線 Thread Guide -----	1
8	2210600120	隔環 Spacer -----	1
9	5221DG0013	送布齒組 Main Feed Dog Asm.-----	1
10	2210600122	導線 Thread Guide -----	1
11	2210600123	針棒揚線桿 Needle Thread Take-Up -----	1
12	2210600124	導線 Thread Guide -----	1
13	5221NG60561	後導針器 Needle Guard (Rear) -----	1
14	-----	壓腳組 Press Foot Set(See Left Page) -----	1
14-A	5221PF6056C	螺絲 Screw -----	1
14-B	-----	壓腳舌 Press Foot Tongue(See Left Page) -----	1
14-C	8SB24560405A	螺絲 Screw (SH0413 3/32"-56*4) -----	1
14-D	5221PF6056F	導布定規 Presser Foot Guide -----	1
15	2210600127	導線 Thread Guide -----	1
16	66728-10-5	針 Needle (UY118GKS #10) -----	1
17	66728-1	假針 Needle -----	1
18	8SC24560303B	螺絲 Screw (NT67-7-23 3/32"-56*2.5)-----	5
19	-----	針留 Needle Clamp (See Left Page) -----	1
20	2210600132	平衡錘 Balance Weight -----	1
21	227A0000342	張力控制組 Thread Retainer Asm. -----	1
*22	221FR0101	導模 Folder Unit (Two-fold) (Extra) -----	1
23	2210600135	變距偏心輪 Regulating Eccentric -----	1
24	2210600136	進給偏心輪 Eccentric -----	1
25	66728-10-5	備用針 Spare Needle -----	1
26	2200000353	導線 Thread Guide (CT0353) -----	1
27	2200000354	螺椿 Stud (CT0354) -----	1
28	2200000355	張力控制盤 Tension Disc (CT0355) -----	2
29	2200000356	彈簧 Spring (CT0356) -----	1
30	2200000357	螺帽 Nut (CT0357) -----	1
31	221A0600143	導線組 Thread Guide Asm.-----	1
32	2280000203	下座前蓋活動塊 Movable Block -----	1
33	2200000716	墊圈 Washer (CT0716) -----	1
34	2210000724	曲柄銷 Rod Pin -----	1
35	2280020201	導線座 Thread Guide Holder -----	1
36	2200000327	導線管 Thread Guide Pipe -----	1
37	8MN03200500A	螺絲 Screw (STB0116 M3-0.5*5) -----	1

* 特註品 Custom-made Item

2. FT7060-1 平型四針用零件列表 Parts List For FT7060-1 Flatseaming



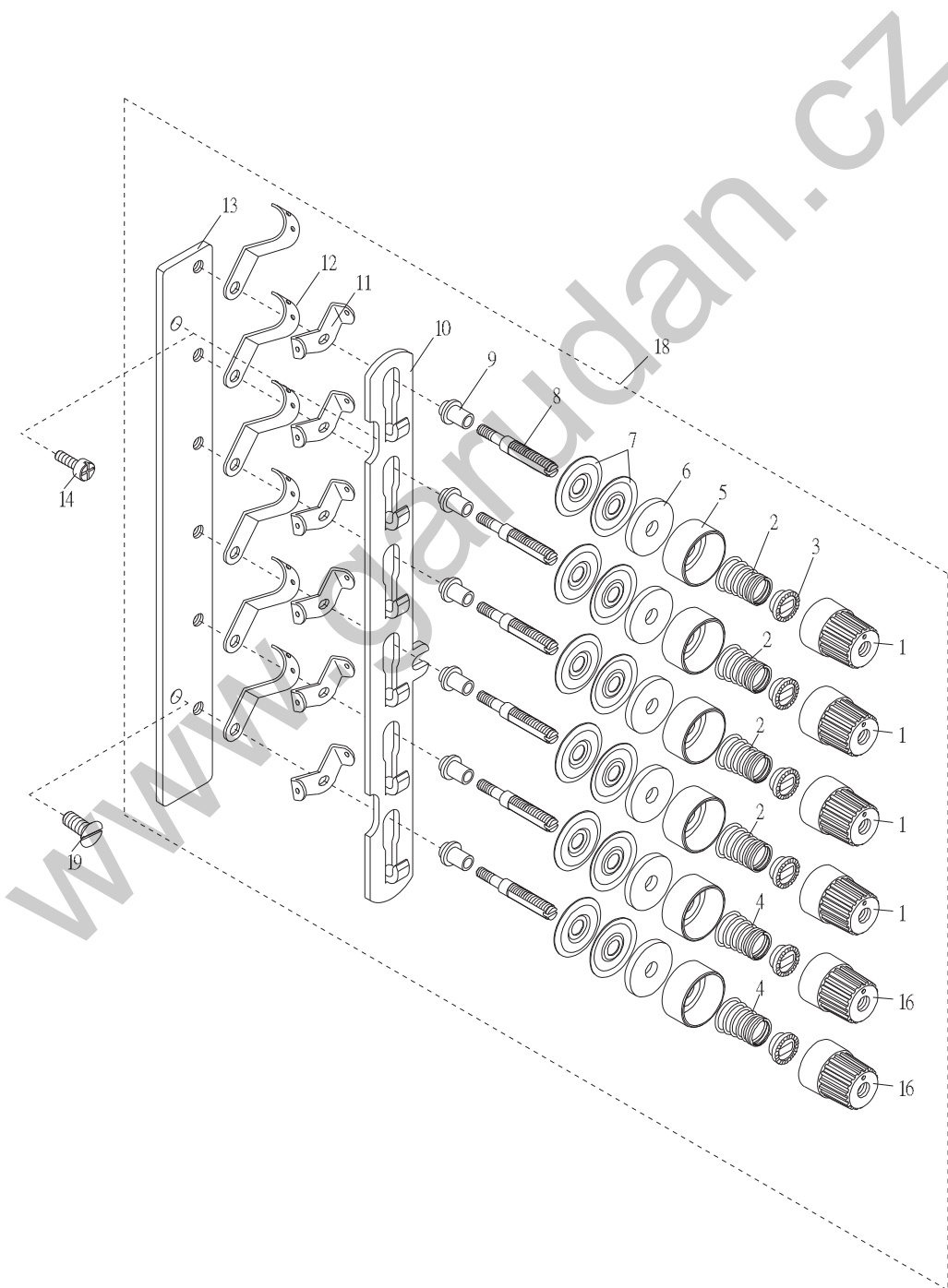
序號 Ref.No.	名稱 Description	針距 Distance Of Needles			
		5.2	5.6	6.0	6.4
5	針板 Needle Plate	5221TP60520	5221TP60560	5221TP60600	5221TP60640
14	壓腳 Presser Foot	5221PF60520	5221PF60560	5221PF60600	5221PF60640
24-B	壓腳舌 Presser Foot Tongue	5221PF6052A	5221PF6056A	5221PF6060A	5221PF6064A
18	針留 Needle Clamp	5221NC60520	5221NC60560	5221NC60600	5221NC60640

2. FT7060-1 平型四針用零件列表 Parts List For FT7060-1 Flatseaming

序號 Ref. No.	物料編號 Parts Number	名稱 Description	單位用量 Amt. Req.
1	2200000710	導線 Thread Guide -----	1
2	-----	-----	-
3	5221DF60560	副送布齒 Diff Feed Dog(See Left Page) -----	1
4	5221FD60560	主送布齒 Main Feed Dog(See Left Page) -----	1
5	-----	針板 Needle Plate(See Left Page) -----	1
6	8MB85241306K	螺絲 Screw (FT0519 M3.5-0.6-*13)-----	1
7	2210600118	導線 Thread Guide -----	1
8	2210600120	隔環 Spacer -----	1
9	5221DG0013	送布齒組 Main Feed Dog Asm.-----	1
10	2210600122	導線 Thread Guide -----	1
11	2210600123	針棒揚線桿 Needle Thread Take-Up -----	1
12	2210600124	導線 Thread Guide -----	1
13	5221NG60561	後導針器 Needle Guard (Rear) -----	1
14	-----	壓腳組 Press Foot Set(See Left Page) -----	1
14-A	5221PF6056C	螺絲 Screw -----	1
14-B	-----	壓腳舌 Press Foot Tongue(See Left Page) -----	1
14-C	8SB24560405A	螺絲 Screw (SH0413 3/32"-56*4) -----	1
14-D	5221PF6056F	導布定規 Presser Foot Guide -----	1
15	66734-11-5	備用針 Spare Needle (5支裝)-----	1
16	66734-11-5	針 Needle (SCHMETZ Canu:34:22 1 NM: 75 #11) -----	1
17	8SC24560303B	螺絲 Screw (NT67-7-23 3/32"-56*2.5)-----	5
18	-----	針留 Needle Clamp (See Left Page) -----	1
*19	221FR0101	導模 Folder Unit (Two-fold) (Extra) -----	1
20	2280000203	下座前蓋活動塊 Movable Block -----	1
21	2280020201	導線座 Thread Guide Holder -----	1
22	2200000327	導線管 Thread Guide Pipe -----	1
23	8MN03200500A	螺絲 Screw (STB0116 M3-0.5*5) -----	1

* 特註品 Custom-made Item

3. 鬆線組CT6760/CT9060/CTD9060/CT9660/CTD9660/FT6760/FT6760-1/FT7060/FT7060-1 /FTD7060/FTD7060-1 用 Thread Tension Mechanism Asm. For CT6760/CT9060/CTD9060/CT9660/CTD9660/FT6760/FT6760-1/FT7060/FT7060-1/FTD7060/FTD7060-1 Use

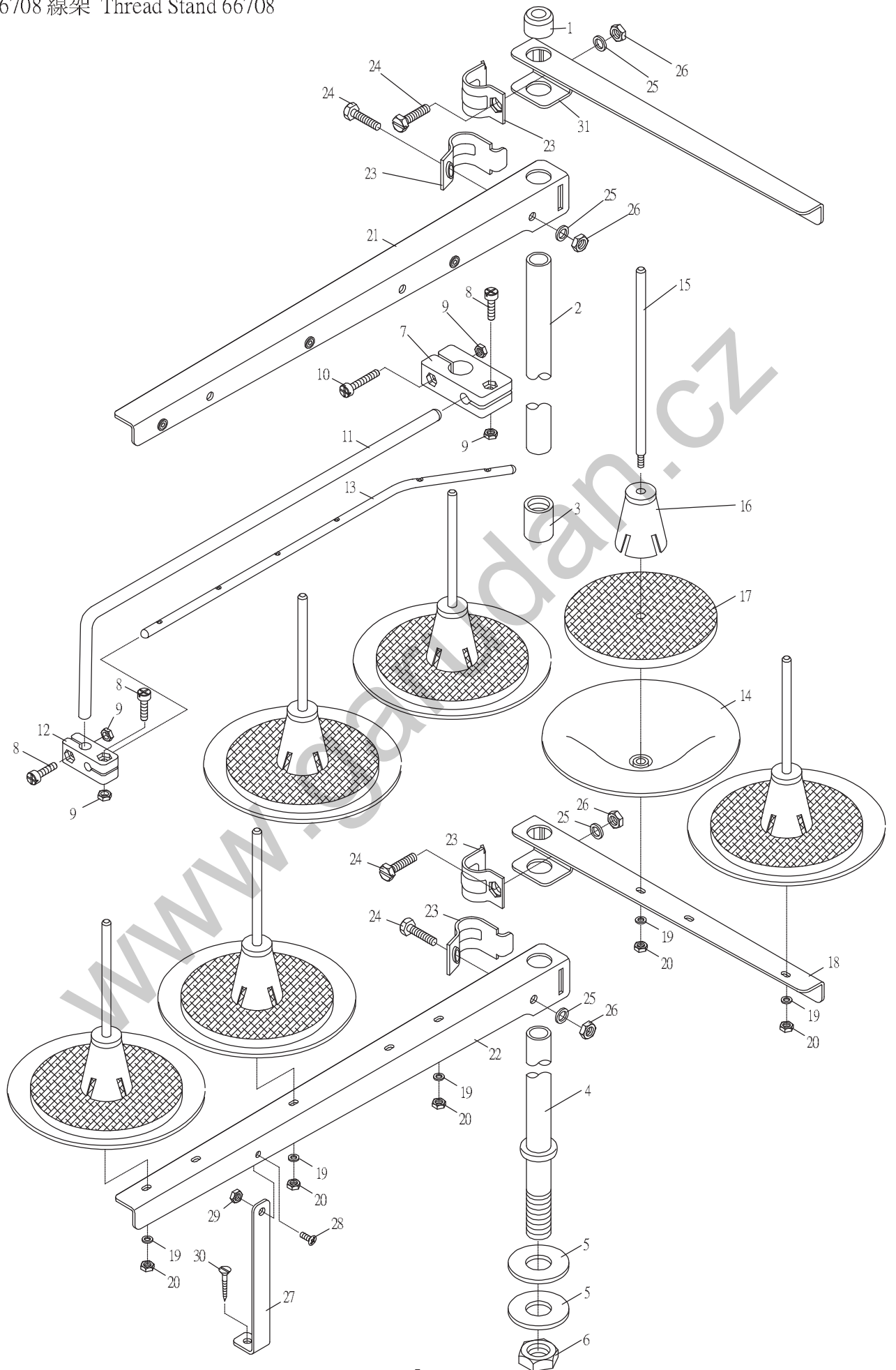


3. 鬆線組CT6760/CT9060/CTD9060/CT9660/CTD9660/FT6760/FT6760-1/FT7060/FT7060-1 /FTD7060/FTD7060-1 用 Thread Tension Mechanism Asm. For CT6760/CT9060/CTD9060/CT9660/CTD9660/FT6760/FT6760-1/FT7060/FT7060-1/FTD7060/FTD7060-1 Use

序號	物料編號	名稱	單位用量
Ref. No.	Parts Number	Description	Amt. Req.
1	2100001121	張力調整螺帽 Tension Nut (Red) (SH1121)-----	4
2	2100001123	彈簧 Spring (Red) (SH1123)-----	4
3	2200000303	套管 Bushing -----	6
4	2100041131	彈簧 Spring (Yellow) (SH1131)-----	2
5	2200000305	彈簧座 Spring Seat -----	6
6	2100001127	羊毛氈 Felt -----	6
7	2100001126	張力控制盤 Tension Disc -----	12
8	22000003081	螺椿 Stud -----	6
9	22000003091	隔環 Spacer -----	6
10	2200600210	鬆線滑板 Release Wedge -----	1
11	2200000311	導線 Thread Guide -----	6
12	2200000312	導線 Thread Guide -----	6
13	2200600213	張力控制組座 Tension Post Support -----	1
14	8MC04280807D	螺絲 Screw (CT0130 M4-0.7*8) -----	1
15	-----	-----	-
16	2100001121A	張力調整螺帽 Tension Nut (Yellow) (Sh1121)-----	2
17	-----	-----	-
18	220A0600218	鬆線組 Thread Tension Set Asm. -----	1
19	8ME04280708A	螺絲 Screw (CT0206 M4-0.7*7) -----	1

www.garudan.com

4. 66708 線架 Thread Stand 66708



4. 66708 線架 Thread Stand 66708

序號	物料編號	名稱	單位用量
Ref. No.	Parts Number	Description	Amt. Req.
1	667051	柱帽 Rod Cover -----	1
2	667052	上柱 Upper Thread Stand Rod -----	1
3	667053	接頭 Joint -----	1
4	667054	下柱 Lower Thread Stand Rod -----	1
5	667055	墊圈 Washer -----	2
6	667056	螺帽 Nut -----	1
7	667057	接頭 Bracket -----	1
8	667058	螺絲 Screw -----	3
9	667059	螺帽 Nut -----	4
10	6670510	螺絲 Screw -----	1
11	6670511	旋臂 Arm -----	1
12	6670512	接頭 Bracket -----	1
13	6670513	導線桿 Thread Guide -----	1
14	6670514	線盤 Spool Set for SH6005 -----	6
15	6670515	線盤軸 Spool Pin -----	6
16	6670516	定心錐 Spool Retaining Lup -----	6
17	6670517	緩衝墊 Seat -----	6
18	6670522	線盤座 Spool Set Bracket -----	1
19	6670519	彈簧墊圈 Spring Washer -----	5
20	6670520	螺帽 Nut -----	5
21	6670521	導線臂 Thread Guide -----	1
22	6670522	線盤座 Spool Set Bracket -----	1
23	6670523	夾板 Clamp -----	4
24	6670524	螺絲 Screw -----	4
25	6670525	彈簧墊圈 Spring Washer -----	4
26	6670526	螺帽 Nut -----	4
27	6670527	撐桿 Support Rod -----	1
28	6670528	螺絲 Screw -----	1
29	6670529	螺帽 Nut -----	1
30	6670530	木螺絲 Wood Screw -----	1
31	6670521	導線臂 Thread Guide -----	1